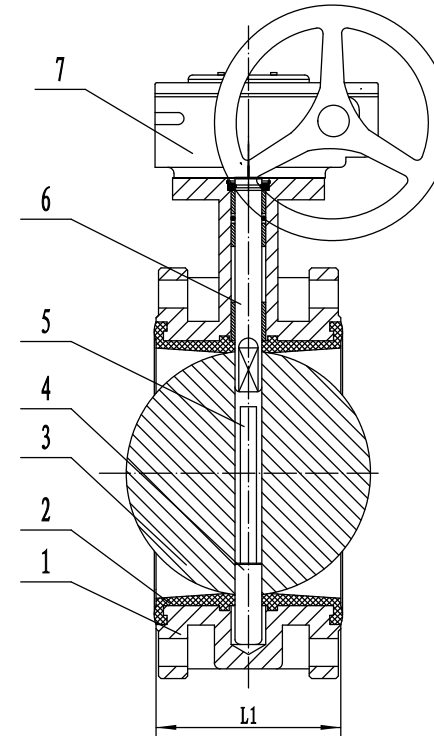
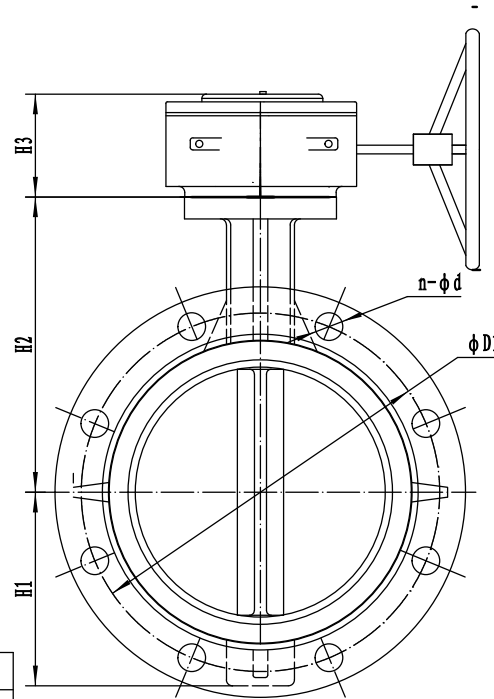


### MATERIAL TABLE

BODY		DISC		SEAT		STEM	
	DUCTILE CAST IRON		304SS, 316SS, 316L		EPDM		416SS
	GRAY CAST IRON		1.4469, 1.4529		NBR		45#
			Ductile iron C95400				



Remark: Working pressure PN10/16, Flange standard according to GB/T 9113.1-2000.

Size	L1	φD1	n-φd	H1	H2	H3
50mm	108	125	4-18	62	130	68
65mm	112	145	4-18	73	145	68
80mm	114	160	8-18	85	155	68
100mm	127	180	8-18	102	170	68
125mm	140	210	8-18	116	190	68
150mm	140	240	8-22	130	210	68
200mm	152	295	8-22/12-22	160	243	85
250mm	165	350/355	12-22/26	193	282	85
300mm	178	400/410	12-22/26	230	310	85
350mm	190	460/470	16-22/26	256	345	85

MAX WORKING PRESS	10 / 16 bar
SHELL TEST	15 / 24 bar
SEAT TEST	11 / 17.6 bar
TEST FLUID	Water

7	WORM GEAR	1	HT200
6	UPPER STEM	1	SEE MATERIAL TABLE
5	CONNECTING ROD	1	PVC
4	LOWER STEM	1	SEE MATERIAL TABLE
3	DISC	1	
2	SEAT	1	
1	BODY	1	
ITEM NO.	PART NAME	Q'TY	MATERIAL

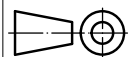


北京好利阀业集团有限公司

Beijing HAOLIFA valve group manufacturing CO., LTD.

DESN BY    CHK BY    AUTH BY    ISSUE DATE

MATERIAL



SCALE

UNIT

mm

370D-PN10/16 BUTTERFLY VALVE

Ø50mm ~ 350mm WORM GEAR OPERATED

SIZE A4

DRAWING NO.

REV

1